

Keypad RFID Card Reader Manual

Keypad RFID Card Reader Manual

Please read the manual carefully before using the device

1.Features

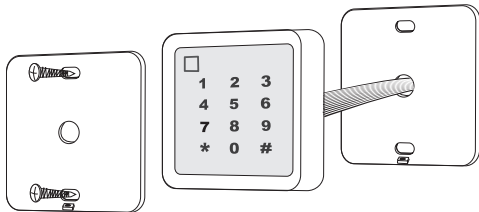
- Very low power consumption, standby current less than 80mA
- Backlight keys
- Wiegand output, Wg26 / WG34 card number format
- Built-in buzzer
- Can connect doorbell

2.Specifications

Operating Voltage	9-16V DC
Card type	EM/Mifare
Reading Distance	3-6 cm
Communication Distance	100M
Idle Current	<80mA
Operating Temperature	-45 ~ 60
Operating Humidity	10% - 90% RH
Waterproof	Conforms to IP68

3.Installation

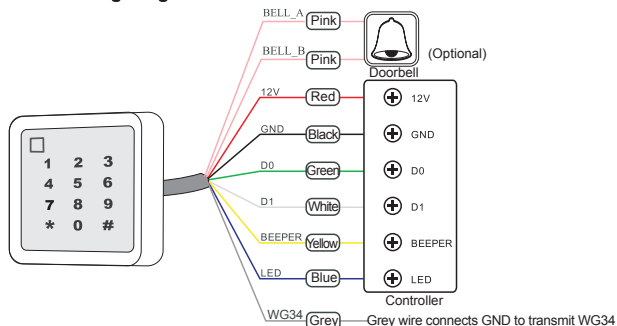
- Remove the back cover from the keypad
- Drill 3 holes on the wall, two for the Self tapping screws and one for the cable
- Put the supplied rubber plugs into the two holes
- Fix the back cover on the wall firmly by 2 self tapping screws
- Handling the cable through the cable hole, connecting the wire needed, wrapping unused wire with insulated tape to avoid short circuit.
- Fix the keypad on the back cover.



4.Wiring

Wire No.	Function	Color	Description
1	BELL - A	Pink	Doorbell button one end
2	BELL - B	Pink	Doorbell button to another end
3	LED	Blue	Connect controller LED
4	Beeper	Yellow	Connect controller beeper
5	D0	Green	WG output line D0
6	D1	White	WG output line D1
7	+12V	Red	Power supply +12V
8	GND	Black	Power supply -12V
9	W34	Gray	Grey wire connects GND to transmit Wiegand 34

5.Wiring Diagram



6 Packing List

Name	Quantity	Remarks
RFID Reader	1	
User manual	1	
Screw driver	1	20mm x 60mm, Special for Reader
Rubber plug	2	6mm x 30 mm, used for fixing
Self tapping screws	2	4mm x 28 mm, used for fixing